

Duramax® Hyamp™ 85° hand torch parts

For use with the Powermax125®



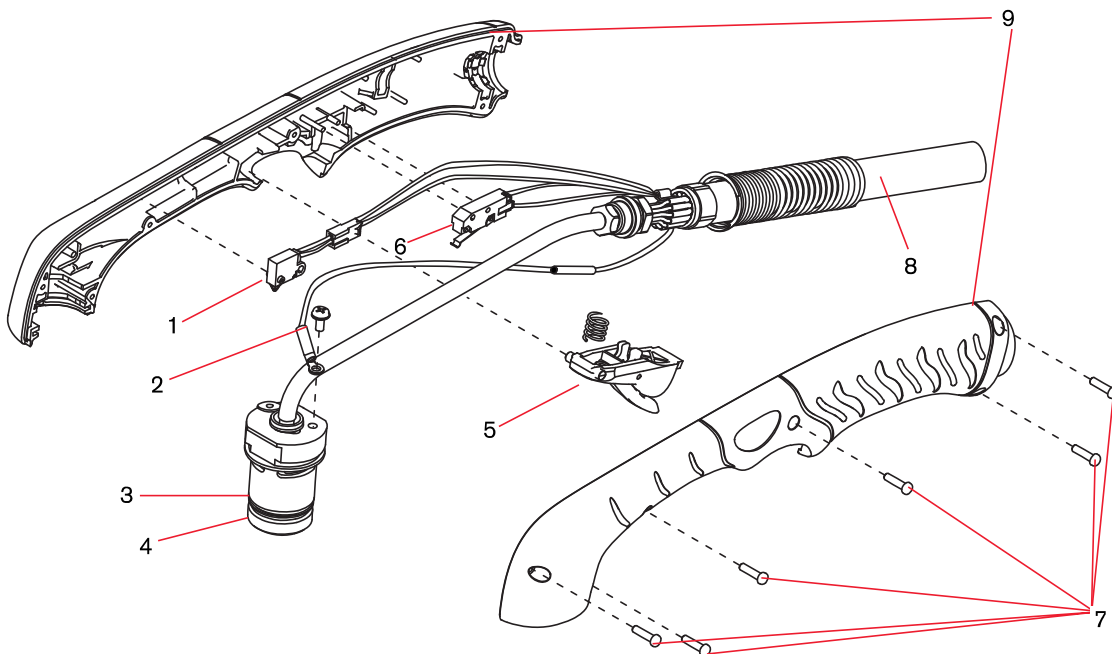
Duramax Hyamp 85° hand torch parts

The entire hand torch and lead assembly can be replaced, or individual component parts can be replaced. Use the following part numbers to replace the entire Duramax Hyamp 85° hand torch assembly. Part numbers starting with 059 indicate complete torch and lead assemblies. Please note Duramax Hyamp torches and consumables are also compatible for use with Powermax45 XP/65/85/105 systems.

Item	Kit/Part number	Description
	059492 ¹	Duramax Hyamp 85° hand torch assembly with 7.6 m (25') lead
	059493 ¹	Duramax Hyamp 85° hand torch assembly with 15 m (50') lead
	059494 ¹	Duramax Hyamp 85° hand torch assembly with 23 m (75') lead
	059665 ²	Duramax Hyamp 85° hand torch assembly with 45.7 m (150') lead
1	228719	Kit: Duramax and Duramax Hyamp hand torch cap-sensor switch
2	075696	Pilot terminal screw
3	428158	Kit: Duramax Hyamp 85° hand torch main body
4	428253	Kit: Duramax Hyamp O-ring (5)
5	428156	Kit: Duramax Hyamp hand torch trigger with spring
6	428162	Kit: Duramax Hyamp start switch
7	428148	Kit: Duramax Hyamp hand torch handle screws
8	428159	Kit: Duramax Hyamp hand torch lead, 7.6 m (25')
8	428160	Kit: Duramax Hyamp hand torch lead, 15 m (50')
8	428161	Kit: Duramax Hyamp hand torch lead, 23 m (75')
8	428762	Kit: Duramax Hyamp hand torch lead, 45.7 m (150')
9	428155	Kit: Duramax Hyamp 85° torch handle
	428260	Kit: Duramax and Duramax Hyamp torch quick disconnect repair (lead side)

¹The torch assembly does not include consumables.

²This torch is only compatible with Powermax125s built after November 14, 2017 (serial number 125-007944 or higher) or that have had the DSP board replaced with a board built after this date.



See pages 64–65 for current system part number information.