

Duramax® Hyamp™ 45° long hand torch replacement parts

For use with the Powermax125®



Duramax Hyamp 45° long hand torch assembly – external components

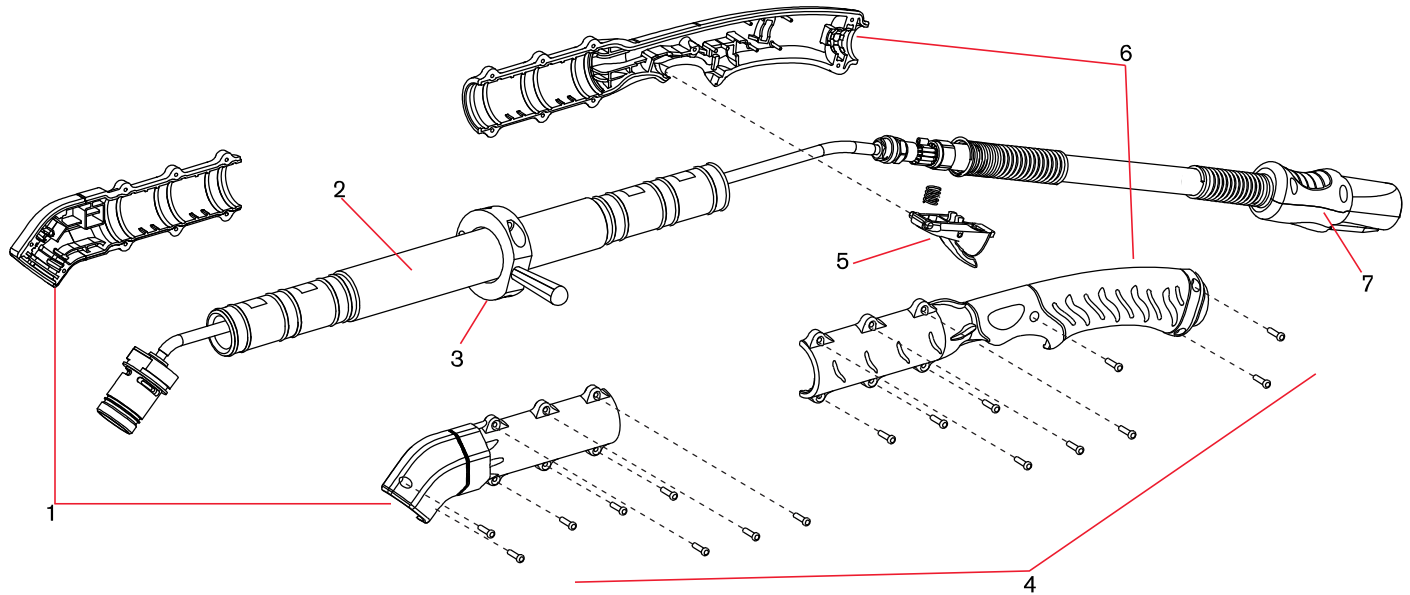
The entire Duramax Hyamp 45° long hand torch assembly with leads can be replaced, or individual component parts can be replaced. Please note Duramax Hyamp torches and consumables are also compatible for use with Powermax45 XP/65/85/105 systems.

Item	Kit/Part number	Description
	059562	Duramax Hyamp 45° long handheld torch assembly with 0.6 m (2') extension and 7.6 m (25') lead
	059579	Duramax Hyamp 45° long handheld torch assembly with 0.6 m (2') extension and 15 m (50') lead
	059567	Duramax Hyamp 45° long handheld torch assembly with 1.2 m (4') extension and 7.6 m (25') lead
	059581	Duramax Hyamp 45° long handheld torch assembly with 1.2 m (4') extension and 15 m (50') lead
	059667 ¹	Duramax Hyamp 45° long handheld torch assembly with 1.2 m (4') extension and 45.7 m (150') lead
1	428278	Kit: Duramax Hyamp 45° long handheld torch front shell
2	428280 ²	Kit: Duramax Hyamp long handheld torch extension tube, 0.6 m (2')
2	428281 ²	Kit: Duramax Hyamp long handheld torch extension tube, 1.2 m (4')
3	428286 ³	Kit: Duramax Hyamp long handheld torch auxiliary handle (with screws)
4	428287	Kit: Duramax Hyamp torch handle screws
5	428156	Kit: Duramax Hyamp hand torch trigger (with spring)
6	428277	Kit: Duramax Hyamp long handheld torch handle
7	428260	Kit: Duramax and Duramax Hyamp torch FastConnect

¹This torch is only compatible with Powermax125s built after November 14, 2017 (serial number 125-007944 or higher) or that have had the DSP board replaced with a board built after this date.

²The extension tubes cannot be used to convert a 0.6 m (2') torch to a 1.2 m (4') torch or to convert a 1.2 m (4') torch to a 0.6 m (2') torch.

³The auxiliary handle comes with the 1.2 m (4') torch; it can be ordered separately for the 0.6 m (2') torch.



See pages 64–65 for current system part number information.

Duramax® Hyamp™ 45° long hand torch replacement parts (continued)

For use with the Powermax125®

Duramax® Hyamp™ 45° long hand torch assembly – internal components

Please note Duramax Hyamp torches and consumables are also compatible for use with Powermax45 XP/65/85/105 systems.

Item	Kit/Part number	Description
1	428288	Kit: Duramax Hyamp long handheld torch cap-sensor switch, 0.6 m (2')
1	428289	Kit: Duramax Hyamp long handheld torch cap-sensor switch, 1.2 m (4')
2	428282	Kit: Duramax Hyamp 45° long handheld torch body (torch head plus gas tube), 0.6 m (2') – includes pilot arc wire, cap-sensor switch, and foam strips
2	428284	Kit: Duramax Hyamp 45° long handheld torch body (torch head plus gas tube), 1.2 m (4') – includes pilot arc wire, cap-sensor switch, and foam strips
3	428253	Kit: Duramax Hyamp O-ring (5)
4	428290	Kit: Duramax Hyamp long handheld torch pilot arc wire (with screws), 0.6 m (2')
4	428291	Kit: Duramax Hyamp long handheld torch pilot arc wire (with screws), 1.2 m (4')
5	428162	Kit: Duramax Hyamp hand torch start switch
6	428159	Kit: Duramax and Duramax Hyamp hand torch lead, 7.6 m (25')
6	428160	Kit: Duramax and Duramax Hyamp hand torch lead, 15 m (50')
6	428762	Kit: Duramax Hyamp hand torch lead, 45.7 m (150')

