

Duramax® Hyamp™ mini machine torch parts

For use with the Powermax125®



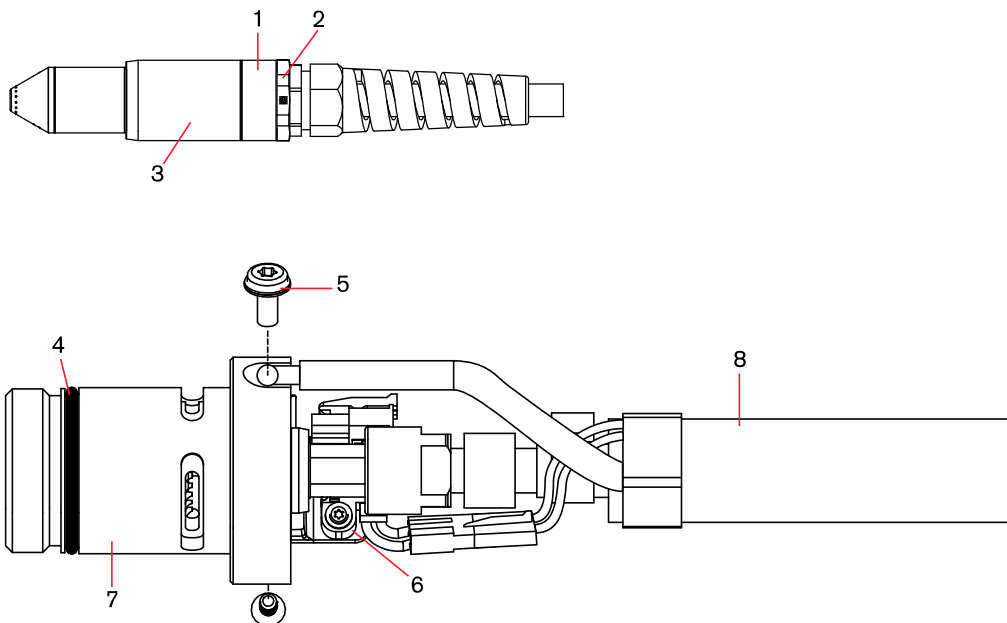
Duramax Hyamp 180° mini machine torch assembly

The entire machine torch and lead assembly can be replaced, or individual component parts can be replaced. Use the following part numbers to replace the entire Duramax Hyamp 180° mini machine torch assembly. Part numbers starting with 059 indicate complete torch and lead assemblies. Please note Duramax Hyamp torches and consumables are also compatible for use with Powermax45 XP/65/85/105 systems.

Item	Kit/Part number	Description
	059514 ¹	Duramax Hyamp 180° mini machine torch assembly with 4.6 m (15') lead
	059515 ¹	Duramax Hyamp 180° mini machine torch assembly with 7.6 m (25') lead
	059516 ¹	Duramax Hyamp 180° mini machine torch assembly with 10.7 m (35') lead
	059517 ¹	Duramax Hyamp 180° mini machine torch assembly with 15 m (50') lead
	059666 ²	Duramax Hyamp 180° mini machine torch assembly with 45.7 m (150') lead
1	428248	Kit: Duramax Hyamp 180° machine torch coupler
2	428146	Kit: Duramax Hyamp 180° mini machine torch adapter ring
3	428145	Kit: Duramax Hyamp 180° machine torch mounting sleeve
4	428253	Kit: Duramax Hyamp O-ring (5)
5	075696	Pilot terminal screw
6	228720	Kit: Duramax/Hyamp/MRT 180° machine torch cap-sensor switch
7	428147	Kit: Duramax Hyamp 180° machine torch main body
8	428149	Kit: Duramax Hyamp 180° machine torch lead, 4.6 m (15')
8	428150	Kit: Duramax Hyamp 180° machine torch lead, 7.6 m (25')
8	428151	Kit: Duramax Hyamp 180° machine torch lead, 10.7 m (35')
8	428152	Kit: Duramax Hyamp 180° machine torch lead, 15 m (50')
8	428761	Kit: Duramax Hyamp 180° machine torch lead, 45.7m (150')
	428260	Kit: Duramax and Duramax Hyamp torch quick disconnect repair (lead side)

¹The torch assembly does not include consumables.

²This torch is only compatible with Powermax125s built after November 14, 2017 (serial number 125-007944 or higher) or that have had the DSP board replaced with a board built after this date.



See pages 64–65 for current system part number information.