

Duramax® Lock 180° machine torch parts

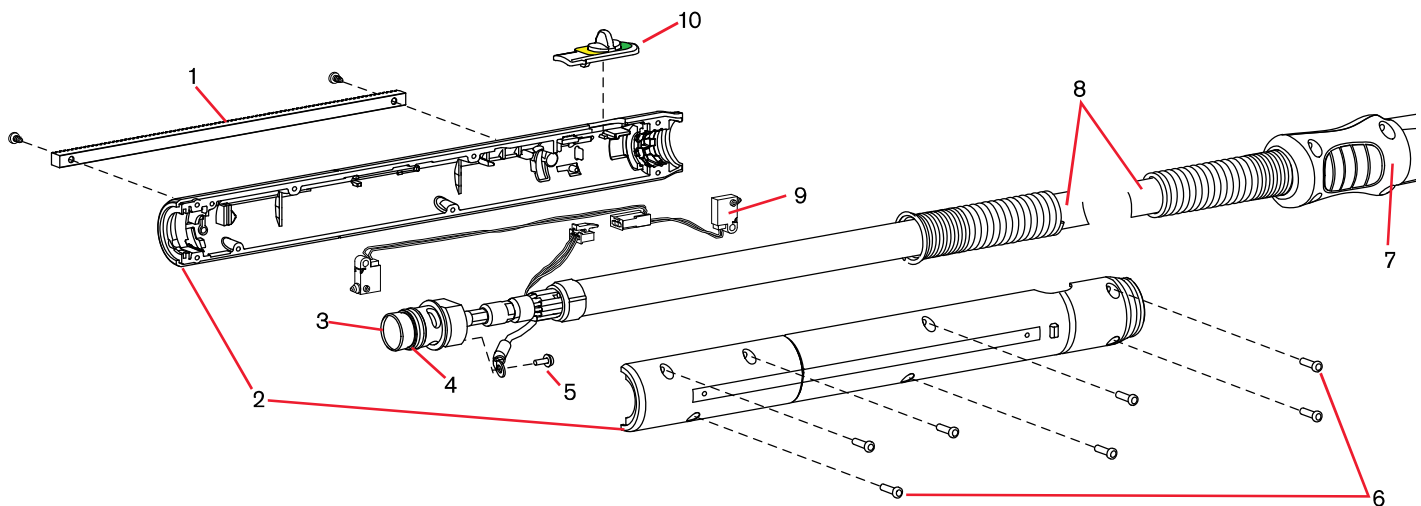
For use with the Powermax45® XP



Duramax 180° machine torch assembly

Item	Kit/Part number	Description
	088167*	Kit: Machine torch assembly with 7,6 m (25 foot) lead
	088168*	Kit: Machine torch assembly with 10,7 m (35 foot) lead
	088169*	Kit: Machine torch assembly with 15 m (50 foot) lead
1	428703	Kit: Removable 32-pitch gear rack (with screws)
2	428596	Kit: Machine torch shell (with screws)
3	428704	Kit: Torch main body replacement for machine torch
4	428180	Kit: Replacement O-rings for torch body
5	075504	Pilot terminal screw
6	428148	Kit: Replacement screws for torch shell
7	428260	Kit: Torch quick-disconnect repair (shell with button – does not include torch lead)
8	428699	Kit: Machine torch lead replacement, 7,6 m (25 foot)
8	428710	Kit: Machine torch lead replacement, 10,7 m (35 foot)
8	428700	Kit: Machine torch lead replacement, 15 m (50 foot)
9	428705	Kit: Cap-sensor switch/torch-disable switch assembly for machine torch (includes wires and connector)
10	428706	Kit: Torch-disable slider for machine torch (with yellow/green label)

*The torch assembly does not include consumables.



See pages 64–65 for current system part number information.